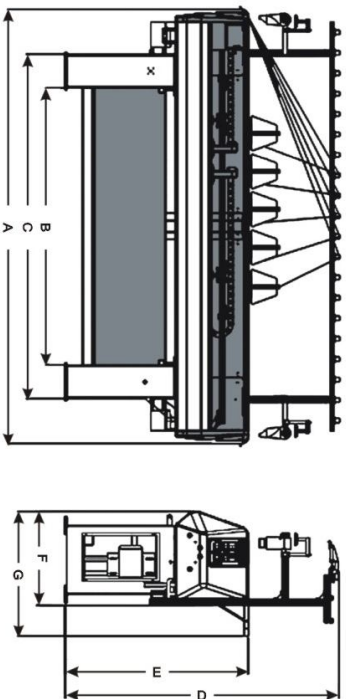


MACHINE MODEL	A	B	C	D	E	F	G
M-172SJT	2,974	1,900	2,360	1,940	1,253	643	853
M-203SJT	3,274	2,200	2,660	1,940	1,253	643	853



## ■ 织机规格 ■ SPECIFICATIONS

针数 GAUGE (NEEDLES)	10,12,14,16,18	编幅8寸 68-inch	编幅80寸 80-inch
编织宽度 KNITTING WIDTH	Max. 1.3米/秒	(M-172SJT)	(M-203SJT)
编织速度 KNITTING SPEED	变频器方式 0.37kw马达, 220V 单相 Max. 1.3M/sec		
驱动 DRIVE MECHANISM	步进马达控制, 左右可移动至针对针, 针对齿可调间距 Controlled by stepping motor, 1x3 pitch at any position, 1/2 pitch available		
摇架 RAOJING	双动双车编织系统 Twin carriages single cam system (Double-cam drive, tandem drive)		
CAM SYSTEM	用扭矩马达控制 Controlled by torque motor		
TAKE-DOWN ROLLER	电脑控制 Computer control		
控制 CONTROL	断纱、结头、爆布、断针 Yarn breakage, knot, fabric fall, needle breakage		
安全装置 STOP MOTION	直接输入及IC卡 Direct input & Memory card		
程式输入 DATA INPUT	基脚/全部 High butt / all butt		
选针 NEEDLE SELECTION	2级高脚/全部 2 Steps (even high buttd/all butt)		
推针片 JACK	1 组大行程序 & 2 SMALL STROKE 1 LARGE STROKES & 2 SMALL STROKES		
大小行程 LARGE/SMALL STROKE	美名格物架 Meminger Stand		
送购附件 OPTION DEVICE	美名格 BRS620 拉架输送单元 Meminger BRS620 Head Set		

\* 内容如有改变, 恕不通知。 Specialization and design are subject to be changed without notice due to improvement of the machine.

# MATSUYA

MATSUYA INDUSTRIES LTD.

26-7, 1-Chome, Mikawa-Anjo-Hommachi, Anjo,

Aichi 446-0058 Japan

Tel : 81-566-71-5188

Fax: 81-566-72-7820

E-Mail: info@matsuya-corp.com

松谷机械(惠州)有限公司

MATSUYA MACHINERY (HUI ZHOU) CO.,LTD.

中国广东省惠州市惠城区仲恺大道(惠环)168号

No.168, Zhong Kai Road, Hui Huan, Hui Cheng District,

Huizhou City, Guangdong, P.R.C.

电话 (Tel) : 86-752-2652866

传真 (Fax): 86-752-2653588

邮编 (P.C): 516008

电邮 (E-Mail): hzmatsuya@matsuya.com.cn

网址 (Website): www.matsuya.com.cn

# M-172SJT

# M-203SJT

电脑横编织机

Computerized Flat Knitting Machine



# MATSUYA

KNIT TO THE FUTURE